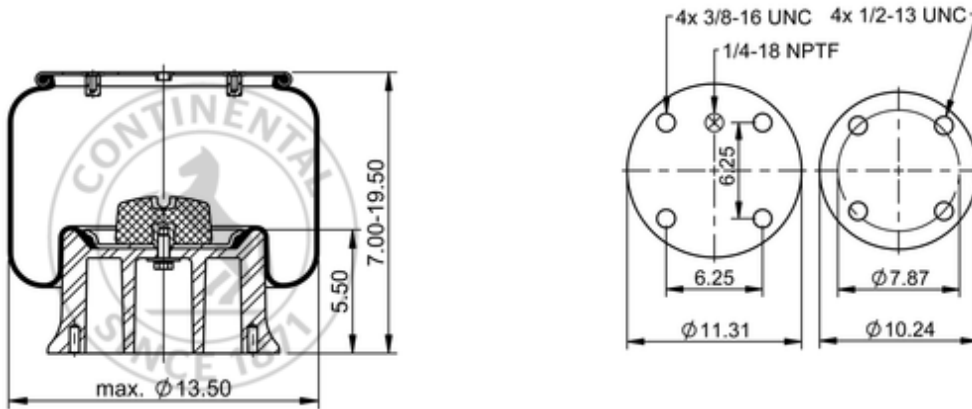







11 10.5-15 A 421

64427



	21.1 lb
	9305216
	1/2-13 UNC: max. 35 lbf ft
	1/4-18 NPTF: max. 22 lbf ft
	3/8-16 UNC: max. 20 lbf ft

### Cross-reference

Firestone Style	1T19L-5
Firestone No.	W01-358-9216
Taurus	6417
Triangle	AS-8421
TRP	AS92160
Automann	1DK28L-9216

**OE Manufacturer/Part No.**

<b>Manufacturer</b>	<b>Original Part No.</b>	<b>Model</b>
---------------------	--------------------------	--------------