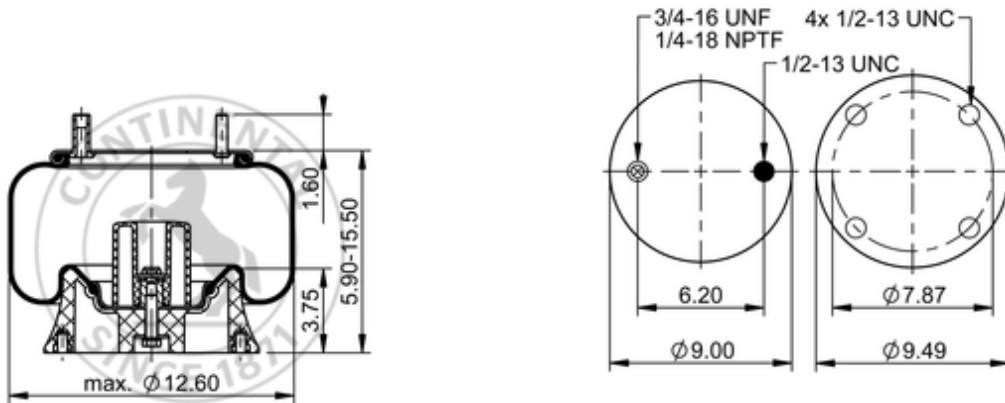







9 10-12 P 932

67696



	11 lb
	9312070
	1/2-13 UNC: max. 35 lbf ft
	1/4-18 NPTF: max. 22 lbf ft
	3/4-16 UNF: max. 50 lbf ft

### Cross-reference

Firestone No.	W01-358-8646
Triangle	AS-8932
Automann	1DK23H-P932

OE Manufacturer/Part No.

Manufacturer	Original Part No.	Model
--------------	-------------------	-------

---

© 2021 ContiTech AG, ALL RIGHTS RESERVED. <https://www.continental-industry.com/>