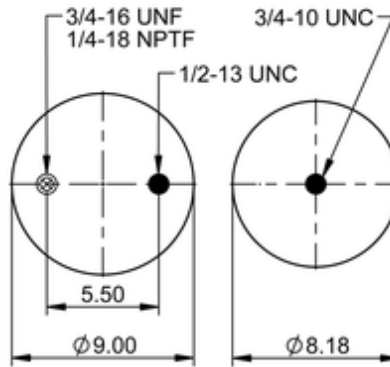
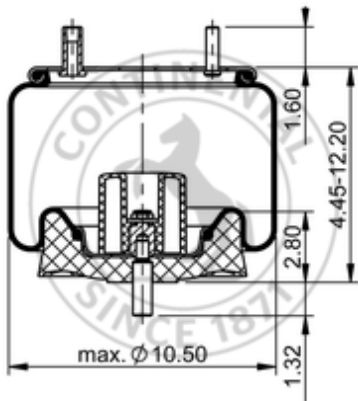


9 9L-10 P 1150
74843


	13 lb
	9308623
	1/2-13 UNC: max. 35 lbf ft
	1/4-18 NPTF: max. 22 lbf ft
	3/4-10 UNC: max. 50 lbf ft

Cross-reference

Firestone Style	1T15TQ-1
Firestone No.	W01-358-5770
Goodyear	1R10-101
Goodyear Flex No.	566203027

OE Manufacturer/Part No.

Manufacturer	Original Part No.	Model
MCI	393902468	
Ridewell	1003535770C	
Watson & Chalin	AS-0042	