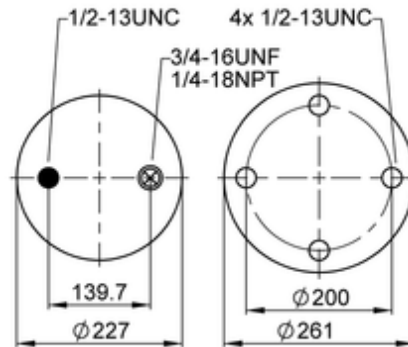
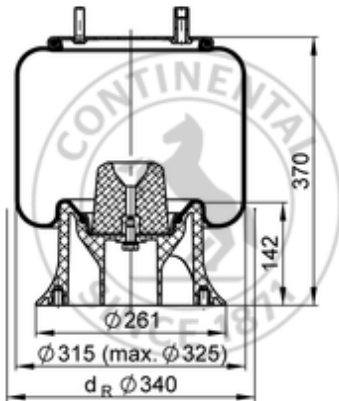












4156 N P14

64611



 bolt or stud
  hole
  combination stud
  air inlet
  stud and nut

 kg	7 kg
	4156 N P04
	
	1/2-13 UNC: max. 70 Nm
	3/4-16 UNC: max. 40 Nm

OE Manufacturer/Part No.

Manufacturer	Original Part No.	Model
Granning	1359	
Granning	1528	
Neway	905 570 33	
Neway	905 570 37	
Neway	905 570 54	
Transpart	520 728	
Weweler	US 09361F	

Weweler	US 97306	
Granning	2727	
Meritor	2120 8939	
Fruehauf		
Neway	905 570 75	AR - 1057
Neway	905 570 27	AR 120
Neway	905 570 27	AR 120.US
Neway	905 570 27	AR 75.9
Neway	905 570 27	Art 500
Neway	905 570 27	Art 505
Hendrickson	B 2066	T - US