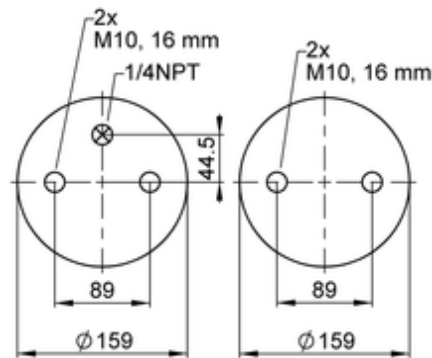
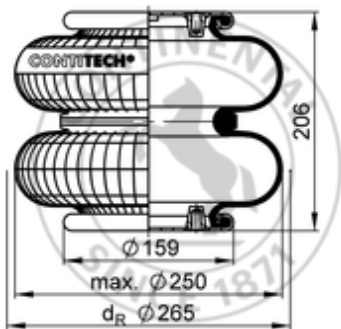


**FD 200-19 1/4 M10**
**72047**


bolt or stud    
  hole    
 ⊗ combination stud    
 ⊗ air inlet    
 ● stud and nut

kg	2,8 kg
	K023
	G1/4: max. 25 Nm
	M10: max. 35 Nm

**OE Manufacturer/Part No.**

Manufacturer	Original Part No.	Model
Meritor	2122 1395	
Meritor	2122 2663	
Floor	13586	
Granning	15603	
Granning	1371	