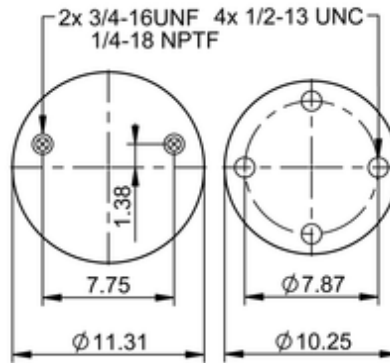
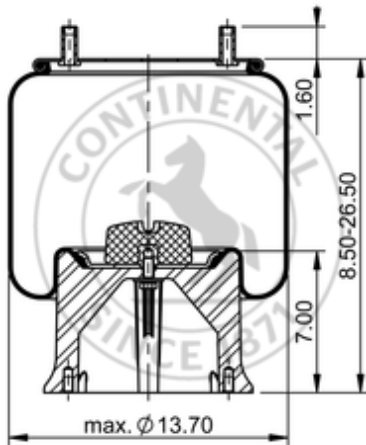







11 10.5-21 A 965

67625



	22.5 lb
	9305215
	1/2-13 UNC: max. 35 lbf ft
	1/4-18 NPTF: max. 22 lbf ft
	3/4-16 UNF: max. 50 lbf ft

Cross-reference

Goodyear	1R14-201
Goodyear Flex No.	566283020
Automann	1D28C-A965

OE Manufacturer/Part No.

Manufacturer	Original Part No.	Model
--------------	-------------------	-------