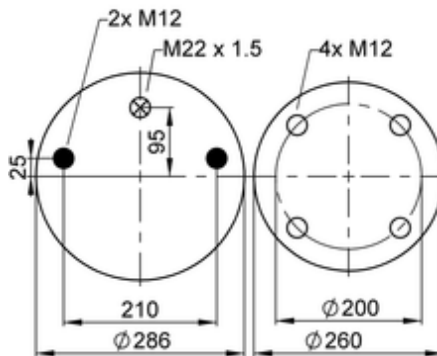
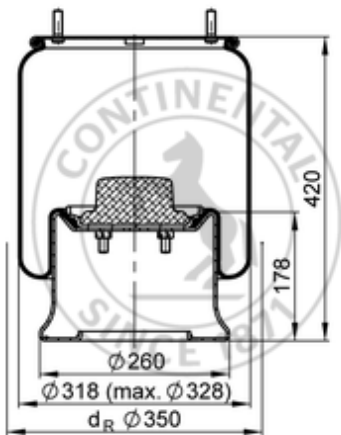






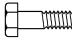





4023 N P03

67221



 bolt or stud   
  hole   
  combination stud   
  air inlet   
  stud and nut

|  |                     |
|--|---------------------|
|  kg | 13,5 kg             |
|     | K001                |
|     |                     |
|     | M12: max. 70 Nm     |
|     | M22x1.5: max. 20 Nm |

**OE Manufacturer/Part No.**

| Manufacturer  | Original Part No. | Model  |
|---------------|-------------------|--------|
| Scania        | 1723280           |        |
| SAF - Holland | 2923V             |        |
| SAF - Holland | 3.229.0031.00     | 2923 V |
| SAF - Holland | 3.229.2131.00     | 2923 V |
| SAF - Holland | 3.229.2231.00     | 2923 V |
| SAF - Holland | 3.229.2431.00     | 2923 V |
| Schmitz       | 751 082           | 2923V  |

