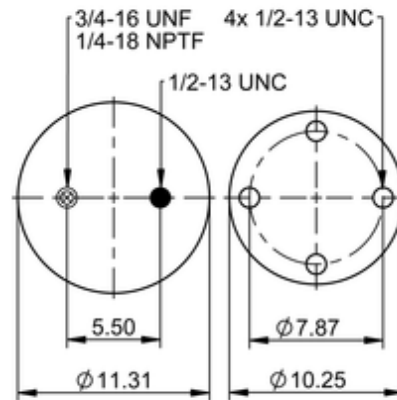
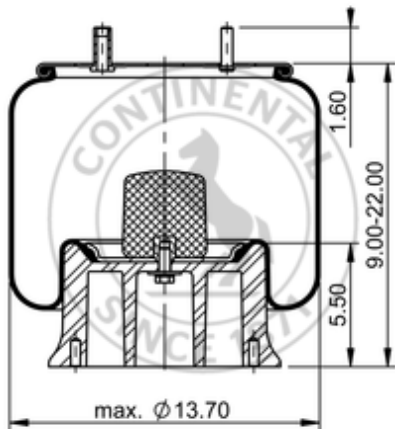


11 10.5-17 A 377

64347



| | |
|--|-----------------------------|
| | 21.6 lb |
| | 9305216 |
| | 1/2-13 UNC: max. 35 lbf ft |
| | 1/4-18 NPTF: max. 22 lbf ft |
| | 3/4-16 UNF: max. 50 lbf ft |

Cross-reference

| | |
|-------------------|--------------|
| Firestone Style | 1T19L-7 |
| Firestone No. | W01-358-9144 |
| FleetPride | AS9144 |
| Goodyear | 1R13-047 |
| Goodyear | 1R14-160 |
| Goodyear Flex No. | 566263051 |

| | |
|-------------------|------------|
| Goodyear Flex No. | 566283021 |
| Taurus | 6365 |
| Triangle | AS-8377 |
| TRP | AS91440 |
| Automann | 1D28G-9144 |

OE Manufacturer/Part No.

| Manufacturer | Original Part No. | Model |
|---------------------|--------------------------|--------------|
| SAF Holland | 90557155 | |
| SAF Holland | 90557323 | |