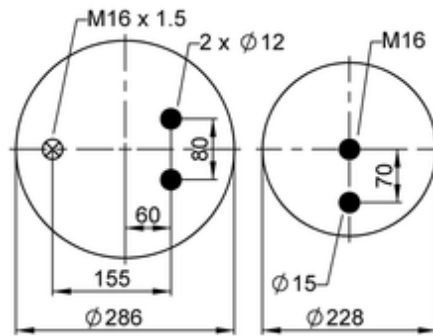
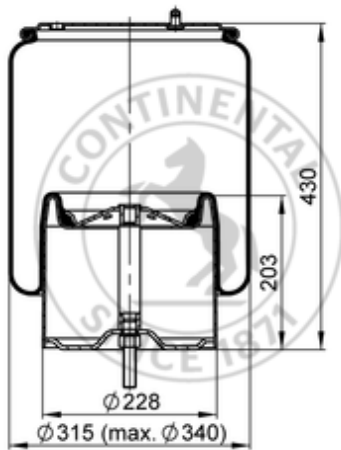


6700 N P02
69728


bolt or stud
 hole
 combination stud
 air inlet
 stud and nut

kg	12,4 kg
	K004
	M16: max. 130 Nm
	M16x1.5: max. 20 Nm

OE Manufacturer/Part No.

Manufacturer	Original Part No.	Model
Scania	2808412	
Scania	2357460	
Scania	1944314	R-Series new generation
Scania	1903608	Scania P,R,T
Scania	1774804	Scania P,R,T
Scania	2198915	Scania P,R,T
Scania	2357532	Scania P,R,T

