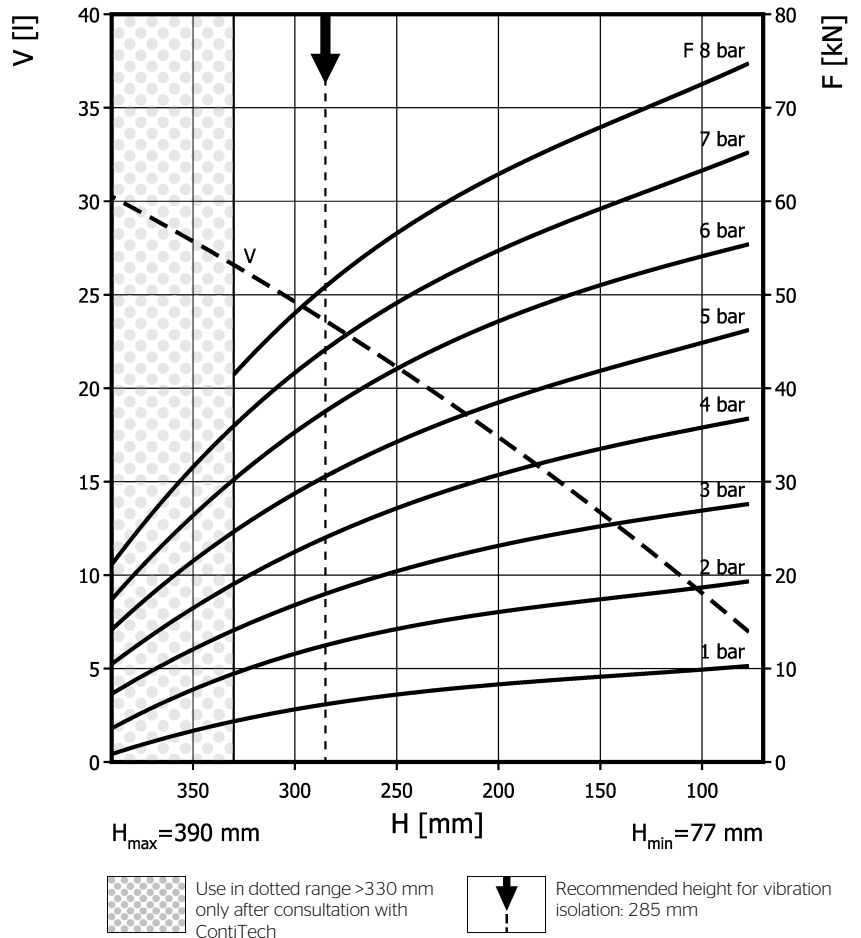
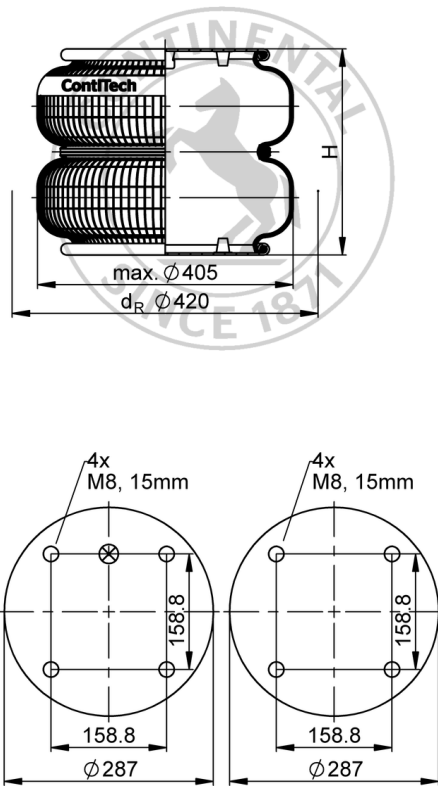


## FD 530-35 CI

## Double Convolution Air Actuator



## Purchase order data

Type	Order No.
rubber bellows only	on request
with crimped plates, G1/4 air inlet A = 79.4 mm excentrical	65702
with crimped plates, G3/4 air inlet A = 79.4 mm excentrical	66763
with crimped plates, G1 air inlet A = 79.4 mm excentrical	62104

Additional types on request



Service instructions  
 M8: max. 25 Nm  
 G1/4: max. 25 Nm  
 G1: max. 50 Nm  
 G3/4: max. 50 Nm

## Technical data

Min. pressure	0 bar
Return force to min height	≤ 400 N
Overall weight	7.7 kg

**Vibration isolation - dynamic characteristic values**

Design height H: recommended 285mm, minimum 265mm

Pressure p [bar]	3	4	5	6	7	8	Vol. V [l]
Force (Load) [kN]	18.7	25.1	31.6	38.2	44.6	51.2	
Spring rate [N/mm]	177	225	270	318	364	410	
Natural frequency [Hz]	1.5	1.5	1.5	1.4	1.4	1.4	

**Pneumatic application - static characteristic values**

Force F [kN]

Pressure p [bar]	3	4	5	6	7	8	Vol. V [l]	
Height H [mm]	320	14.9	20.4	25.9	32	37.6		43.7
	280	18.5	24.5	31	38.1	45	51.7	23
	240	21.1	28	35.5	43.3	50.3	57.9	21
	200	23.1	30.7	38.5	47.1	54.8	62.8	18
	160	24.8	33	41.3	50.4	58.4	67.2	14
	120	26.2	34.8	43.4	52.9	61.5	70.5	11

**Measuring procedure:** Room temperature / Force-height-data quasistatic / Dynamic data at 1 Hz