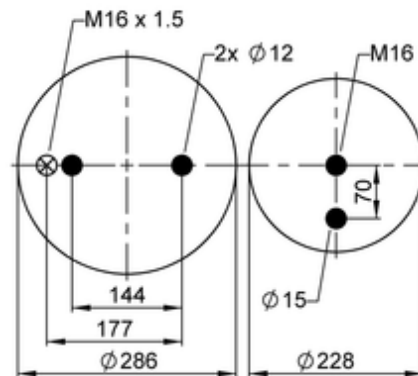
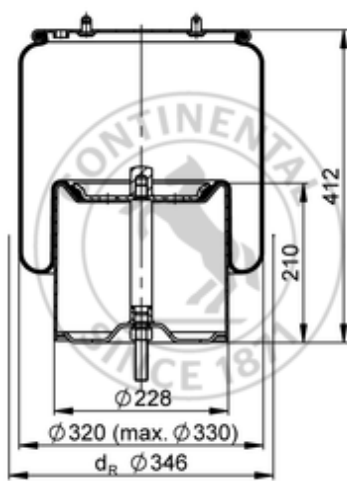


4913 N P02

67254



bolt or stud    
  hole    
 ⊗ combination stud    
 ⊗ air inlet    
 ● stud and nut

	13 kg
	K004
	M16: max. 130 Nm
	M16x1.5: max. 20 Nm

**OE Manufacturer/Part No.**

Manufacturer	Original Part No.	Model
Scania	1379392	Series 4
Scania	1440294	Series 4