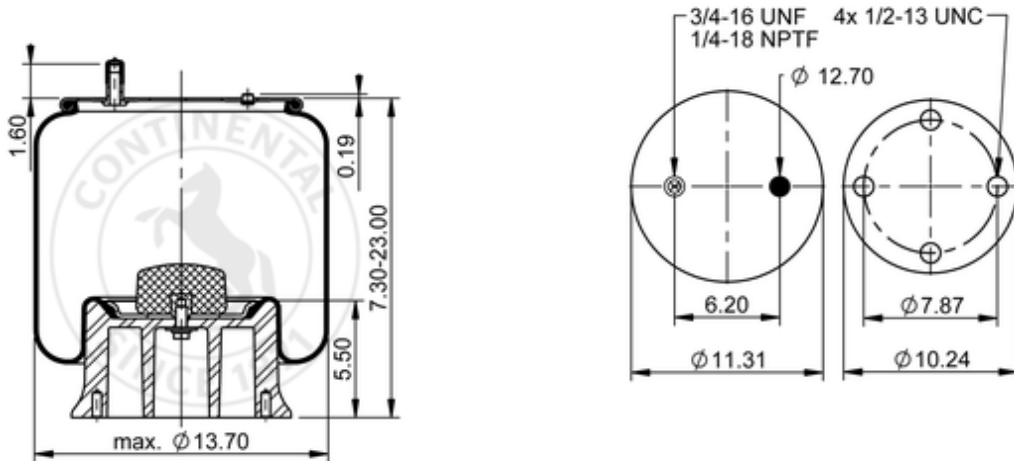







11 10.5-19 A 1250

76150



	21 lb
	9305216
	1/2-13 UNC: max. 35 lbf ft
	1/4-18 NPTF: max. 22 lbf ft
	3/4-16 UNF: max. 50 lbf ft

Cross-reference

Goodyear	1R14-234
Goodyear Flex No.	566-28-3-021

OE Manufacturer/Part No.

Manufacturer	Original Part No.	Model
--------------	-------------------	-------

